



April 2017  
Catalog

---

## Catalog of Products

---

### Floor Mounted Jib Cranes



### Wall Mounted Jib Cranes



### Gantry Cranes



### Fork Truck Attachments



### Motorized Cranes

### Portable Cranes

### Spreader Beams







## Table of Contents

Product	Page Nos.	Effective Date
Table of Contents	3	11/15
Product Warranty	4	11/15
H-Series Heavy Duty Floor Mounted Jib Crane	5 - 10	7/16
FL-Series Foundationless Floor Mounted Jib Crane	11 - 13	2/17
FL-WS Series Foundationless Floor Mounted Workstation Jib Cranes	14 - 16	2/17
FL-AR Series Foundationless Floor Mounted Semi-Articulating Jib Cranes	17	4/17
FL-Series Accessories (FL, FL-WS & FL-AR)	18	4/17
L-Series Light Duty Floor Mounted Jib Crane & Accessories	19 - 20	11/15
L-Series Accessories	21	11/15
Floor Mounted Installation Instructions	22	11/15
MC-Series Portable Jib Crane & Accessories	23	11/15
CW-Series Cantilevered Wall Mounted Jib Crane & Accessories	24 - 25	11/15
TRW-Series Overbraced Tie Rod Wall Mounted Jib Crane & Accessories	26 - 27	7/16
FG-Series Fixed Height Gantry Crane & Accessories	28	7/16
TG-Series Telescoping Gantry Crane & Accessories	29	11/15
TLJ-Series Telescoping Jib Lift Fork Truck Attachment	30	11/15
TLJP-Series Telescoping Pivoting Jib Lift Fork Truck Attachment	31	11/15
PM-Series Pillar Mounted Jib Crane & Accessories	32 - 34	11/15



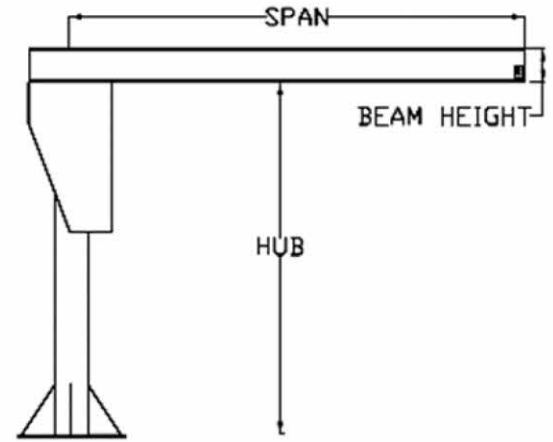
---

## **Product Warranty**

---

1. All Lift Cranes warrants the products it manufactures against defects in material or workmanship for a period of three years from the date of shipment.
2. The warranty applies to All Lift Cranes equipment or materials which, after our inspection, is determined to be defective. All Lift Cranes agrees to furnish a duplicate replacement part free of charge F.O.B. job site.  
(Note: All defective parts must be returned to All Lift Cranes via freight collect for inspection.)
3. This warranty does not apply to equipment which has been subject to misuse, use in excess of rated capacity, improper installation, or maintenance.
4. All Lift Cranes is not responsible for any down time and lost production.
5. Paint: Every unit receives a quality paint job before shipping from our facility. Unfortunately, no paint job can be protected against carrier abuse via common carrier. Upon request we can provide touch-up paint. If the crane is damaged in any way other than cosmetic paint damage the customer must sign for the shipment damaged.





## H-Series Heavy Duty Floor Mounted Jib Crane ½ Ton Capacity

Capacity (Pounds)	Model	Hub	Span	Beam Height	Flange Width	Base Diameter	Unit Weight	
1,000	H1108*	10'	8'	8"	4"	36"*	780#	
1,000	H11010*	10'	10'	8"	4"	36"*	890#	
1,000	H11012*	10'	12'	8"	4"	36"*	940#	
1,000	H11014	10'	14'	8"	4"	36"	1,085#	
1,000	H11016	10'	16'	12"	6 ½"	36"	1,490#	
1,000	H11018	10'	18'	12"	6 ½"	36"	1,530#	
1,000	H11020	10'	20'	12"	6 ½"	36"	1,850#	
1,000	H1128*	12'	8'	8"	4"	36"*	825#	
1,000	H11210*	12'	10'	8"	4"	36"*	885#	
1,000	H11212*	12'	12'	8"	4"	36"*	920#	
1,000	H11214	12'	14'	8"	4"	36"	1,150#	
1,000	H11216	12'	16'	12"	6 ½"	36"	1,605#	
1,000	H11218	12'	18'	12"	6 ½"	36"	1,690#	
1,000	H11220	12'	20'	12"	6 ½"	36"	2,075#	
1,000	H1148*	14'	8'	8"	4"	36"*	855#	
1,000	H11410*	14'	10'	8"	4"	36"*	940#	
1,000	H11412*	14'	12'	8"	4"	36"*	970#	
1,000	H11414	14'	14'	8"	4"	36"	1,380#	
1,000	H11416	14'	16'	12"	6 ½"	36"	1,650#	
1,000	H11418	14'	18'	12"	6 ½"	36"	1,790#	
1,000	H11420	14'	20'	12"	6 ½"	36"	2,080#	

Effective 7/16

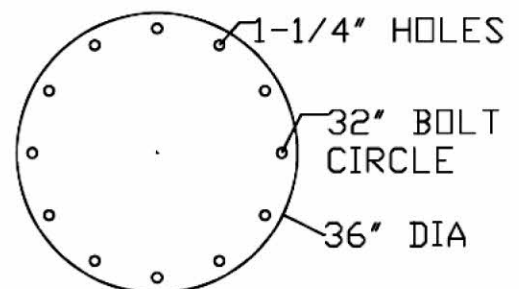
**Contact sales for HUBs greater than 14ft. and spans longer than 20 ft.**

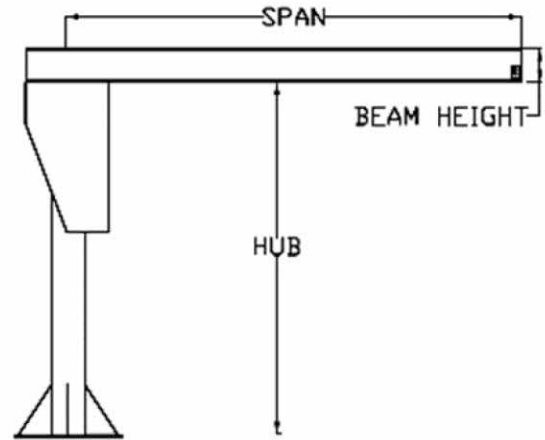
**NOTE:**

- Units with (\*) require 3' deep x 4' square foundations. All others require 3' deep x 5' square concrete foundations with rebar.
- 3,000 psi of compressive force-reinforced rebar 3/4" diameter top and bottom 12" on center..
- All units have 36" BD and 32" BC 12 holes 1-1/4" diameter.
- All foundations should be checked by a structural engineer.

**Options:**

- Tagline Kits
- Outdoor Applications & Stainless Steel
- Hoists & Trolleys





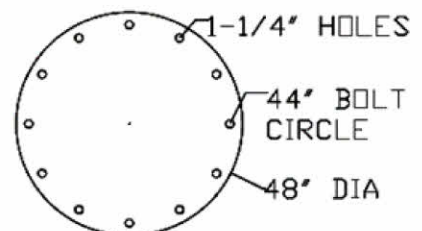
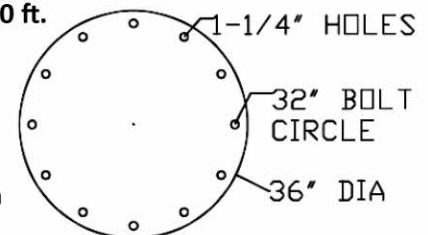
## H-Series Heavy Duty Floor Mounted Jib Crane 1 Ton Capacity

Capacity (Pounds)	Model	Hub	Span	Beam Height	Flange Width	Base Diameter	Unit Weight
2,000	H2108*	10'	8'	8"	4"	36"*	920#
2,000	H21010*	10'	10'	8"	4"	36"*	960#
2,000	H21012**	10'	12'	12"	6 1/2"	36"***	1,420#
2,000	H21014**	10'	14'	12"	6 1/2"	36"***	1,515#
2,000	H21016	10'	16'	12"	6 1/2"	36"	1,630#
2,000	H21018	10'	18'	16"	7"	48"	2,140#
2,000	H21020	10'	20'	16"	7"	48"	2,235#
2,000	H2128*	12'	8'	8"	4"	36"*	980#
2,000	H21210*	12'	10'	8"	4"	36"*	1,060#
2,000	H21212**	12'	12'	12"	6 1/2"	36"***	1,455#
2,000	H21214**	12'	14'	12"	6 1/2"	36"***	1,670#
2,000	H21216	12'	16'	12"	6 1/2"	36"	1,785#
2,000	H21218	12'	18'	16"	7"	48"	2,305#
2,000	H21220	12'	20'	16"	7"	48"	2,445#
2,000	H2148*	14'	8'	8"	4"	36"*	1,035#
2,000	H21410*	14'	10'	8"	4"	36"*	1,446#
2,000	H21412**	14'	12'	12"	6 1/2"	36"***	1,560#
2,000	H21414**	14'	14'	12"	6 1/2"	36"***	1,770#
2,000	H21416	14'	16'	12"	6 1/2"	36"	1,850#
2,000	H21418	14'	18'	16"	7"	48"	2,445#
2,000	H21420	14'	20'	16"	7"	48"	2,560#

Effective 7/16 **Contact sales for HUBS greater than 14ft. and spans longer than 20 ft.**

**NOTE:**

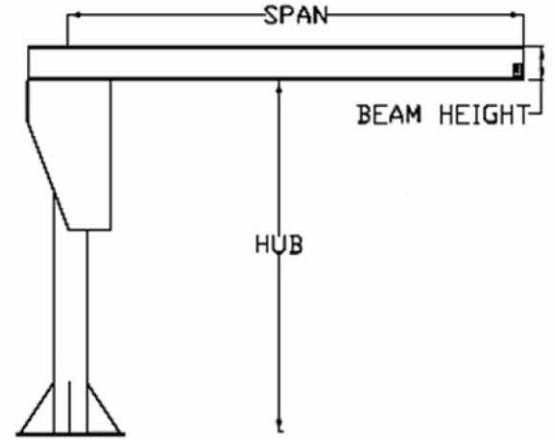
- Units with 36" diameter base plates with (\*) have 4' deep x 5' square foundations, (\*\*) have 4' deep x 6 ft square foundations and all others have 4' deep by 7' square concrete foundations.
- Units with 48" diameter base plates have 4' deep by 8' square concrete foundations.
- 3,000 psi of compressive force-reinforced rebar 3/4" diameter top and bottom 12" on center..
- Base plate dimension: 36" diameter base x 32" bolt circle quantity 12 holes 1-1/4" diameter.
- Base plate dimension: 48" diameter base x 44" bolt circle quantity 12 holes 1-1/4" diameter.
- All foundations should be checked by a structural engineer.



**Options:** Tagline Kits

Outdoor Applications & Stainless Steel

Motorized Rotation and Hoists & Trolleys



## H-Series Heavy Duty Floor Mounted Jib Crane 2 Ton Capacity

Capacity (Pounds)	Model	Hub	Span	Beam Height	Flange Width	Base Diameter	Unit Weight
4,000	H4108	10'	8'	12"	6 ½"	36"	1,350#
4,000	H41010	10'	10'	12"	6 ½"	36"	1,440#
4,000	H41012*	10'	12'	16"	7"	48"*	1,940#
4,000	H41014*	10'	14'	16"	7"	48"*	2,040#
4,000	H41016	10'	16'	21"	6 ½"	48"	2,620#
4,000	H41018	10'	18'	24"	7"	48"	3,335#
4,000	H41020	10'	20'	24"	7"	48"	3,475#
4,000	H4128	12'	8'	12"	6 ½"	36"	1,440#
4,000	H41210	12'	10'	12"	6 ½"	36"	1,535#
4,000	H41212*	12'	12'	16"	7"	48"*	2,110#
4,000	H41214*	12'	14'	16"	7"	48"*	2,190#
4,000	H41216	12'	16'	21"	6 ½"	48"	2,750#
4,000	H41218	12'	18'	24"	7"	48"	3,430#
4,000	H41220	12'	20'	24"	7"	48"	3,570#
4,000	H4148	14'	8'	12"	6 ½"	36"	1,550#
4,000	H41410	14'	10'	12"	6 ½"	36"	1,665#
4,000	H41412*	14'	12'	16"	7"	48"*	2,235#
4,000	H41414*	14'	14'	16"	7"	48"*	2,315#
4,000	H41416	14'	16'	21"	6-1/2"	48"	2,930#
4,000	H41418	14'	18'	24"	7"	48"	3,590#
4,000	H41420	14'	20'	24"	7"	48"	4,310#

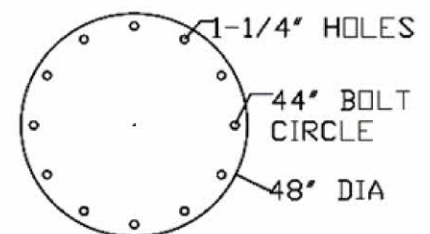
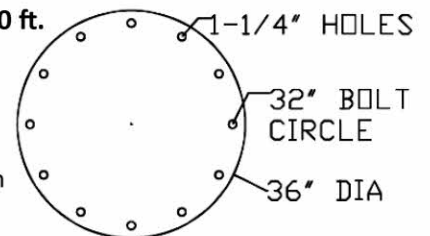
Effective 7/16 **Contact sales for HUBs greater than 14ft. and spans longer than 20 ft.**

**NOTE:**

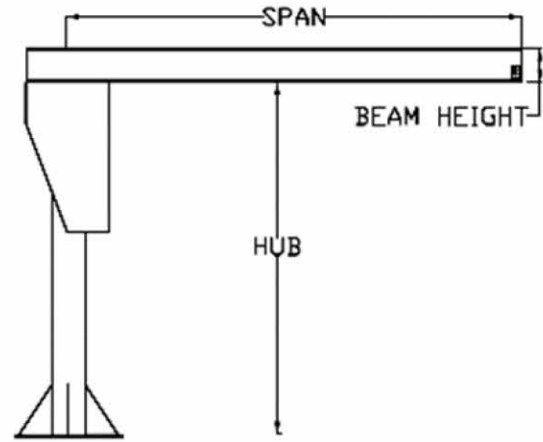
- Units with 36" diameter base plates have 4' deep by 6' square concrete foundations.
- Units with 48" diameter base plates that with (\*) have 4' deep x 7' square foundations. All others have 4' deep by 8' square concrete foundations.
- 3,000 psi of compressive force-reinforced rebar 3/4" diameter top and bottom 12" on center..
- Base plate dimension: 36" diameter base x 32" bolt circle quantity 12 holes 1-1/4" diameter.
- Base plate dimension: 48" diameter base x 44" bolt circle quantity 12 holes 1-1/4" diameter.
- All foundations should be checked by a structural engineer.

**Options:** Tagline Kits

- Outdoor Applications & Stainless Steel
- Motorized Rotation and Hoists & Trolleys







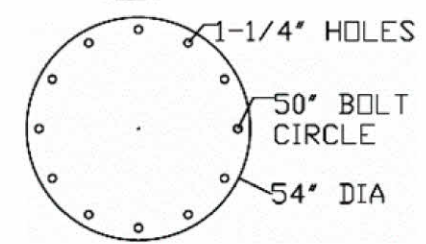
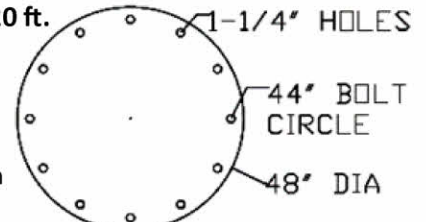
## H-Series Heavy Duty Floor Mounted Jib Crane 3 Ton Capacity

Capacity (Pounds)	Model	Hub	Span	Beam Height	Flange Width	Base Diameter	Unit Weight	
6,000	H6108*	10'	8'	16"	7"	48"*	1,850#	
6,000	H61010*	10'	10'	16"	7"	48"*	1,930#	
6,000	H61012*	10'	12'	16"	7"	48"*	2,690#	
6,000	H61014	10'	14'	21"	6 1/2"	48"	3,065#	
6,000	H61016	10'	16'	24"	7"	48"	3,775#	
6,000	H61018	10'	18'	24"	9"	54"	4,430#	
6,000	H61020	10'	20'	24"	9"	54"	4,960#	
6,000	H6128*	12'	8'	16"	7"	48"*	1,940#	
6,000	H61210*	12'	10'	16"	7"	48"*	2,030#	
6,000	H61212*	12'	12'	16"	7"	48"*	2,850#	
6,000	H61214	12'	14'	21"	6 1/2"	48"	3,230#	
6,000	H61216	12'	16'	24"	7"	48"	3,970#	
6,000	H61218	12'	18'	24"	9"	54"	4,630#	
6,000	H61220	12'	20'	24"	9"	54"	5,235#	
6,000	H6148*	14'	8'	16"	7"	48"*	2,080#	
6,000	H61410*	14'	10'	16"	7"	48"*	2,155#	
6,000	H61412*	14'	12'	16"	7"	48"*	2,970#	
6,000	H61414	14'	14'	21"	6 1/2"	48"	3,350#	
6,000	H61416	14'	16'	24"	7"	48"	4,160#	
6,000	H61418	14'	18'	24"	9"	54"	4,770#	
6,000	H61420	14'	20'	24"	9"	54"	5,485#	

Effective 7/16 **Contact sales for HUBS greater than 14ft. and spans longer than 20 ft.**

**NOTE:**

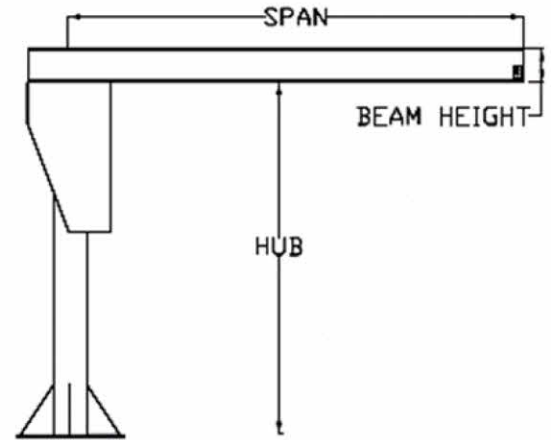
- Units with 48" diameter base plates that with (\*) have 4' deep x 7' square foundations and all others have 4' deep by 8' square concrete foundations.
- Units with 54" diameter base plates have 4' deep by 9' square concrete foundations.
- 3,000 psi of compressive force-reinforced rebar 3/4" diameter top and bottom 12" on center..
- Base plate dimension: 48" diameter base x 44" bolt circle quantity 12 holes 1-1/4" diameter.
- Base plate dimension: 54" diameter base x 50" bolt circle quantity 12 holes 1-1/4" diameter
- All foundations should be checked by a structural engineer.



**Options:** Tagline Kits

Outdoor Applications & Stainless Steel

Motorized Rotation and Hoists & Trolleys



## H-Series Heavy Duty Floor Mounted Jib Crane 5 Ton Capacity

Capacity (Pounds)	Model	Hub	Span	Beam Height	Flange Width	Base Diameter	Unit Weight	
10,000	H10108	10'	8'	21"	8 ¼"	60"	3,820#	
10,000	H101010	10'	10'	21"	8 ¼"	60"	3,975#	
10,000	H101012	10'	12'	21"	8 ¼"	66"	4,645#	
10,000	H101014	10'	14'	24"	9"	66"	4,990#	
10,000	H101016	10'	16'	24"	9"	66"	5,150#	
10,000	H101018	10'	18'	24"	9"	72"	6,100#	
10,000	H101020	10'	20'	24"	9"	72"	6,940#	
10,000	H10128	12'	8'	21"	8 ¼"	60"	4,050#	
10,000	H101210	12'	10'	21"	8 ¼"	60"	4,190#	
10,000	H101212	12'	12'	21"	8 ¼"	66"	4,850#	
10,000	H101214	12'	14'	24"	9"	66"	5,230#	
10,000	H101216	12'	16'	24"	9"	66"	5,390#	
10,000	H101218	12'	18'	24"	9"	72"	6,420#	
10,000	H101220	12'	20'	24"	9"	72"	7,220#	
10,000	H10148	14'	8'	21"	8 ¼"	60"	4,470#	
10,000	H101410	14'	10'	21"	8 ¼"	60"	4,620#	
10,000	H101412	14'	12'	21"	8 ¼"	66"	5,490#	
10,000	H101414	14'	14'	24"	9"	66"	5,950#	
10,000	H101416	14'	16'	24"	9"	66"	6,185#	
10,000	H101418	14'	18'	24"	9"	72"	6,720#	
10,000	H101420	14'	20'	24"	9"	72"	7,435#	

Effective 7/16

**Contact sales for HUBS greater than 14ft. and spans longer than 20 ft.**

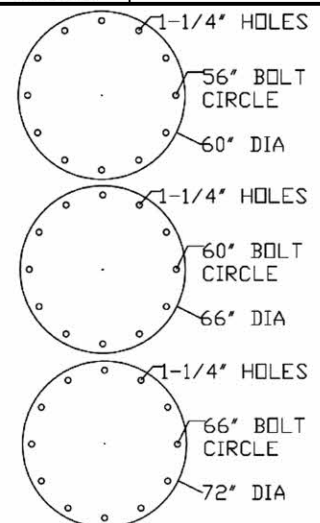
**NOTE:**

- Units with 60" & 66" diameter base plates have 4' deep by 9' square concrete foundations.
- Units with 72" diameter base plates have 4' deep by 10' square concrete foundations.
- 3,000 psi of compressive force-reinforced rebar 3/4" diameter top and bottom 12" on center..
- Base plate dimension: 60" diameter base x 56" bolt circle quantity 12 holes 1-1/4" diameter
- Base plate dimension: 66" diameter base x 60" bolt circle quantity 12 holes 1-1/4" diameter.
- Base plate dimension: 72" diameter base x 66" bolt circle quantity 12 holes 1-1/4" diameter.

**Options:** Tagline Kits

Outdoor Applications & Stainless Steel

Motorized Rotation and Hoists & Trolleys





## Jib Crane Accessories for H-Series Units

### Anchor Bolt Kits

TA1-31-12 T-Style 1" Diameter Bolt 31" long

TA1-40-12 T-Style 1" Diameter Bolt 40" long

Each bolt includes one washer and two nuts.

### Bolt Pattern Template

36D12 to 48D12 Plywood Template

54D12 to 72D12 Plywood Template

36D12 Paper Template

Paper templates larger than 36D12 are NOT available.

### Rotation Stops – Field Mounted

### Festooning

Tag Line Kit and S Hooks

Adder-Cable Trolley (each)

Flat Cable

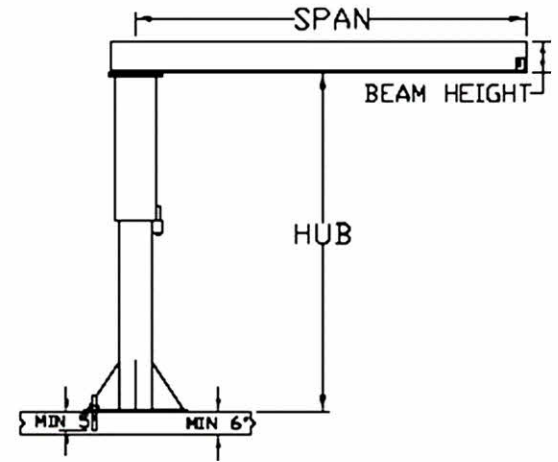
### Collector Rings

TEC – Top Entry Collector Ring and Mounting Plate

BEC – Bottom Entry Collector Ring

BEC requires 12" beam and above, prep of crane included.





## FL-Series Foundationless Floor Mounted Jib Crane 1/8 Ton Capacity

Capacity (Pounds)	Model	Hub	Span	Beam Height	Flange Width	Base Diameter	Unit Weight
250	FL2586	8'	6'	6"	3-3/8"	26"	375#
250	FL2588	8'	8'	6"	3-3/8"	26"	405#
250	FL25810	8'	10'	6"	3-3/8"	26"	425#
250	FL25812	8'	12'	6"	3-3/8"	26"	565#
250	FL25814	8'	14'	8"	4"	26"	690#
250	FL25106	10'	6'	6"	3-3/8"	26"	410#
250	FL25108	10'	8'	6"	3-3/8"	26"	440#
250	FL251010	10'	10'	6"	3-3/8"	26"	455#
250	FL251012	10'	12'	6"	3-3/8"	26"	620#
250	FL251014	10'	14'	8"	4"	26"	730#
250	FL25126	12'	6'	6"	3-3/8"	26"	460#
250	FL25128	12'	8'	6"	3-3/8"	26"	475#
250	FL251210	12'	10'	6"	3-3/8"	26"	495#
250	FL251212	12'	12'	6"	3-3/8"	26"	665#
250	FL251214	12'	14'	8"	4"	26"	780#

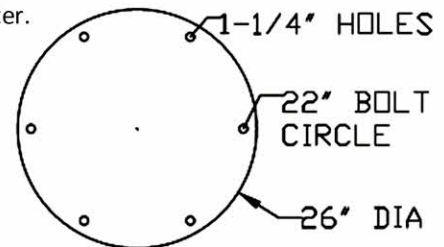
Effective 2/16

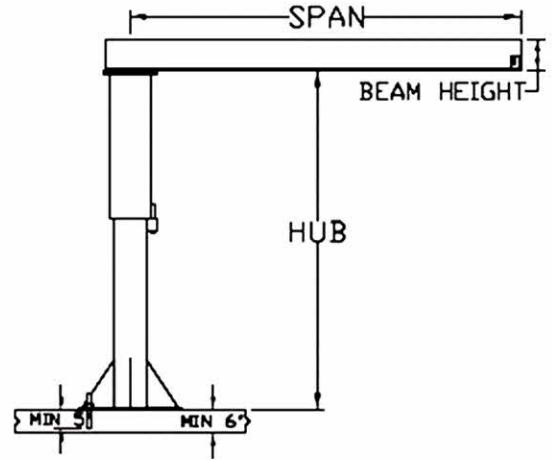
**NOTE:**

- Existing concrete must be a minimum of 6" thick reinforced with a minimum 3,000 psi (5 bag mix), soil pressure must support 2,500 psi.
- Concrete in and around the area (6' x 6') of the base plate must be free of cracks and must appear in good condition.
- All units have 26" diameter base and 22" bolt circle 6 holes 1-1/4" diameter.
- All foundations should be checked by a structural engineer.

**Options:** Tagline Kits

- Epoxy Anchor Kits
- Rotation Stops
- Bolt Pattern Templates
- Outdoor Applications & Stainless Steel
- Hoists & Trolleys





## FL-Series Foundationless Floor Mounted Jib Crane 1/4 Ton Capacity

Capacity (Pounds)	Model	Hub	Span	Beam Height	Flange Width	Base Diameter	Unit Weight	
500	FL586	8'	6'	6"	3-3/8"	28"	390#	
500	FL588	8'	8'	6"	3-3/8"	28"	420#	
500	FL5810	8'	10'	6"	3-3/8"	28"	440#	
500	FL5812	8'	12'	6"	3-3/8"	28"	580#	
500	FL5814	8'	14'	8"	4"	28"	705#	
500	FL5106	10'	6'	6"	3-3/8"	28"	425#	
500	FL5108	10'	8'	6"	3-3/8"	28"	455#	
500	FL51010	10'	10'	6"	3-3/8"	28"	470#	
500	FL51012	10'	12'	6"	3-3/8"	28"	635#	
500	FL51014	10'	14'	8"	4"	28"	745#	
500	FL5126	12'	6'	6"	3-3/8"	28"	475#	
500	FL5128	12'	8'	6"	3-3/8"	28"	490#	
500	FL51210	12'	10'	6"	3-3/8"	28"	510#	
500	FL51212	12'	12'	6"	3-3/8"	28"	680#	
500	FL51214	12'	14'	8"	4"	28"	795#	

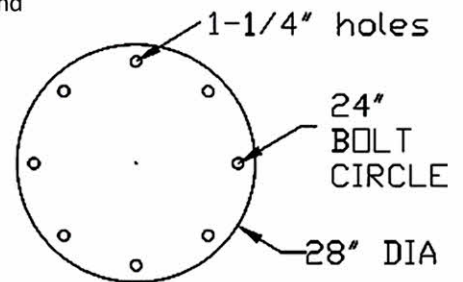
Effective 2/16

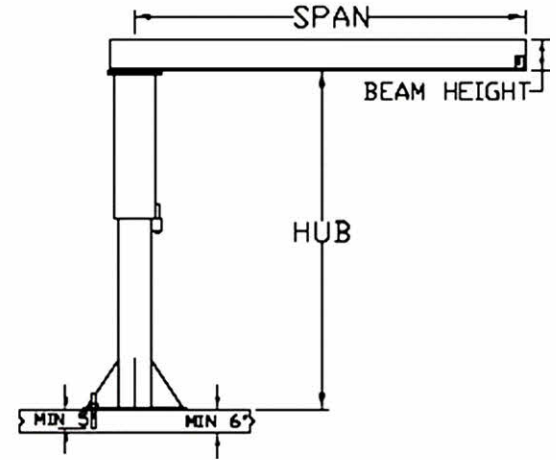
### NOTE:

- Existing concrete must be a minimum of 6" thick reinforced with a minimum 3,000 psi (5 bag mix), soil pressure must support 2,500 psi.
- Concrete in and around the area (6' x 6') of the base plate must be free of cracks and must appear in good condition.
- All units have 28" diameter base and 24" bolt circle 8 holes 1-1/4" diameter.
- All foundations should be checked by a structural engineer.

### Options: Tagline Kits

- Epoxy Anchor Kits
- Rotation Stops
- Bolt Pattern Templates
- Outdoor Applications & Stainless Steel
- Hoists & Trolleys





## FL-Series Foundationless Floor Mounted Jib Crane 1/2 Ton Capacity

Capacity (Pounds)	Model	Hub	Span	Beam Height	Flange Width	Base Diameter	Unit Weight	
1000	FL186	8'	6'	6"	3-3/8"	30"	490#	
1000	FL188	8'	8'	6"	3-3/8"	30"	545#	
1000	FL1810	8'	10'	8"	4"	30"	760#	
1000	FL1812	8'	12'	8"	4"	30"	875#	
1000	FL1106	10'	6'	6"	3-3/8"	30"	570#	
1000	FL1108	10'	8'	6"	3-3/8"	30"	595#	
1000	FL11010	10'	10'	8"	4"	30"	850#	
1000	FL11012	10'	12'	8"	4"	30"	920#	
1000	FL1126	12'	6'	6"	3-3/8"	30"	580#	
1000	FL1128	12'	8'	6"	3-3/8"	30"	620#	
1000	FL11210	12'	10'	8"	4"	30"	870#	
1000	FL11212	12'	12'	8"	4"	30"	950#	

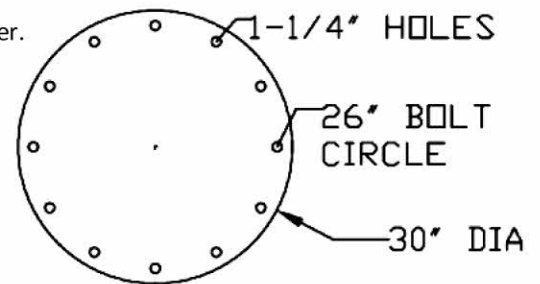
Effective 2/16

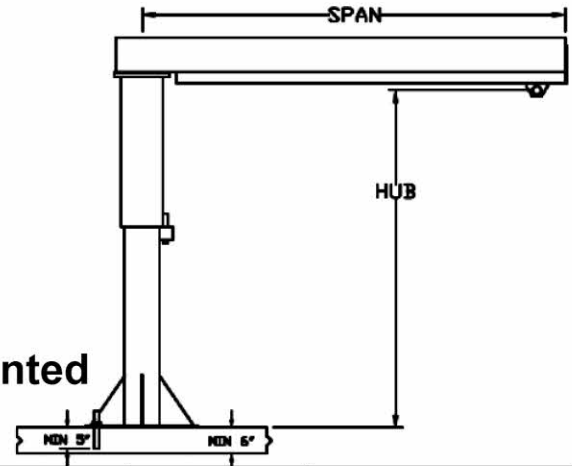
**NOTE:**

- Existing concrete must be a minimum of 6" thick reinforced with a minimum 3,000 psi (5 bag mix), soil pressure must support 2,500 psi.
- Concrete in and around the area (6' x 6') of the base plate must be free of cracks and must appear in good condition.
- All units have 30" diameter base and 26" bolt circle 12 holes 1-1/4" diameter.
- All foundations should be checked by a structural engineer.

**Options:** Tagline Kits

- Epoxy Anchor Kits
- Rotation Stops
- Bolt Pattern Templates
- Outdoor Applications & Stainless Steel
- Hoists & Trolleys





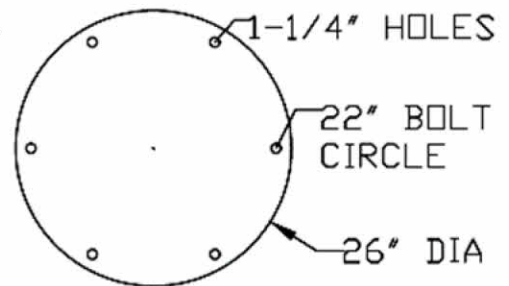
## FL-WS Series Foundationless Floor Mounted Workstation Jib Crane 1/8 Ton Capacity

Capacity (Pounds)	Model	Hub	Span	Beam Height	Base Diameter	Unit Weight	
250	FL2586-WS	8'	6'	6"	26"	418#	
250	FL2588-WS	8'	8'	6"	26"	462#	
250	FL25810-WS	8'	10'	6"	26"	496#	
250	FL25812-WS	8'	12'	6"	26"	650#	
250	FL25106-WS	10'	6'	6"	26"	453#	
250	FL25108-WS	10'	8'	6"	26"	497#	
250	FL251010-WS	10'	10'	6"	26"	525#	
250	FL251012-WS	10'	12'	6"	26"	705#	
250	FL25126-WS	12'	6'	6"	26"	503#	
250	FL25128-WS	12'	8'	6"	26"	532#	
250	FL251210-WS	12'	10'	6"	26"	566#	
250	FL251212-WS	12'	12'	6"	26"	750#	

Effective 2/16 **Price includes enclosed track and trolley.**

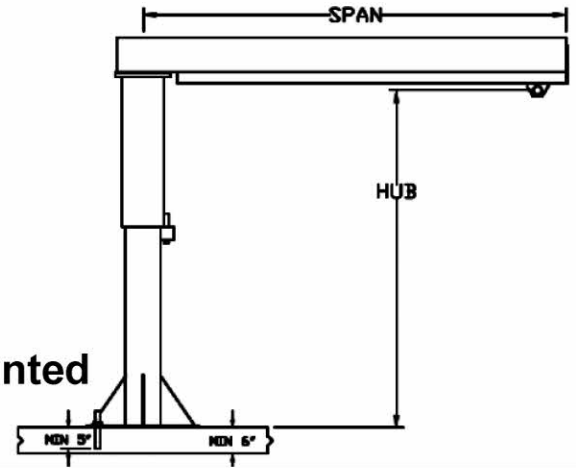
**NOTE:**

- Existing concrete must be a minimum of 6" thick reinforced with a minimum 3,000 psi (5 bag mix), soil pressure must support 2,500 psi.
- Concrete in and around the area (6' x 6') of the base plate must be free of cracks and must appear in good condition.
- All units have 26" diameter base and 22" bolt circle 6 holes 1-1/4" diameter.
- All foundations should be checked by a structural engineer.



- Options:** Tagline Kits  
 Epoxy Anchor Kits  
 Rotation Stops  
 Bolt Pattern Templates  
 Hoists & Trolleys





## FL-WS Series Foundationless Floor Mounted Workstation Jib Crane 1/4 Ton Capacity

Capacity (Pounds)	Model	Hub	Span	Beam Height	Base Diameter	Unit Weight	
500	FL586-WS	8'	6'	6"	28"	433#	
500	FL588-WS	8'	8'	6"	28"	477#	
500	FL5810-WS	8'	10'	6"	28"	511#	
500	FL5812-WS	8'	12'	6"	28"	665#	
500	FL5106-WS	10'	6'	6"	28"	468#	
500	FL5108-WS	10'	8'	6"	28"	512#	
500	FL51010-WS	10'	10'	6"	28"	541#	
500	FL51012-WS	10'	12'	6"	28"	720#	
500	FL5126-WS	12'	6'	6"	28"	518#	
500	FL5128-WS	12'	8'	6"	28"	547#	
500	FL51210-WS	12'	10'	6"	28"	581#	
500	FL51212-WS	12'	12'	6"	28"	765#	

Effective 2/16 **Price includes enclosed track and trolley.**

**NOTE:**

- Existing concrete must be a minimum of 6" thick reinforced with a minimum 3,000 psi (5 bag mix), soil pressure must support 2,500 psi.
- Concrete in and around the area (6' x 6') of the base plate must be free of cracks and must appear in good condition.
- All units have 28" diameter base and 24" bolt circle 8 holes 1-1/4" diameter.
- All foundations should be checked by a structural engineer.

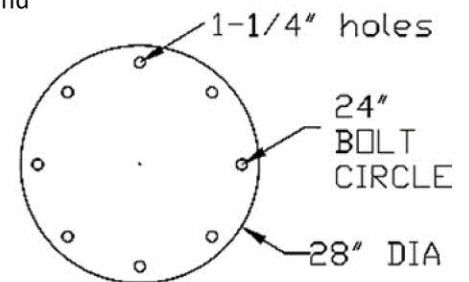
**Options:** Tagline Kits

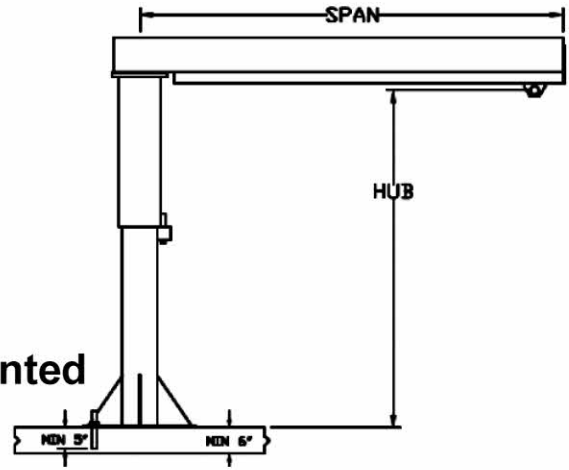
Epoxy Anchor Kits

Rotation Stops

Bolt Pattern Templates

Hoists & Trolleys





## FL-WS Series Foundationless Floor Mounted Workstation Jib Crane 1/2 Ton Capacity

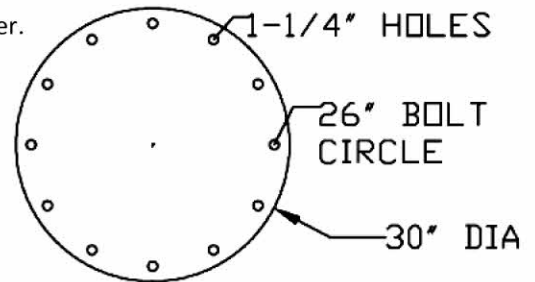
Capacity (Pounds)	Model	Hub	Span	Beam Height	Base Diameter	Unit Weight	
1000	FL186-WS	8'	6'	6"	30"	533#	
1000	FL188-WS	8'	8'	6"	30"	602#	
1000	FL1810-WS	8'	10'	8"	30"	806#	
1000	FL1812-WS	8'	12'	8"	30"	931#	
1000	FL1106-WS	10'	6'	6"	30"	613#	
1000	FL1108-WS	10'	8'	6"	30"	652#	
1000	FL11010-WS	10'	10'	8"	30"	896#	
1000	FL11012-WS	10'	12'	8"	30"	976#	
1000	FL1126-WS	12'	6'	6"	30"	623#	
1000	FL1128-WS	12'	8'	6"	30"	677#	
1000	FL11210-WS	12'	10'	8"	30"	916#	
1000	FL11212-WS	12'	12'	8"	30"	1006#	

Effective 2/16 **Price includes enclosed track and trolley.**

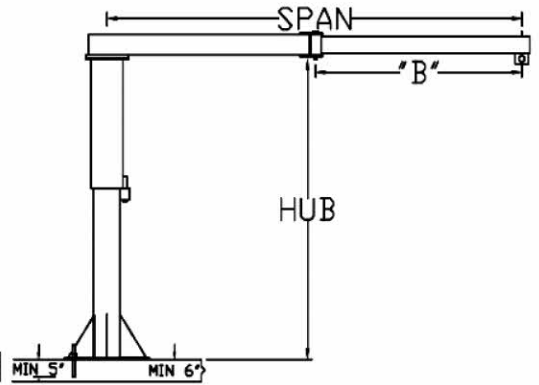
**NOTE:**

- Existing concrete must be a minimum of 6" thick reinforced with a minimum 3,000 psi (5 bag mix), soil pressure must support 2,500 psi.
- Concrete in and around the area (6' x 6') of the base plate must be free of cracks and must appear in good condition.
- All units have 30" diameter base and 26" bolt circle 12 holes 1-1/4" diameter.
- All foundations should be checked by a structural engineer.

- Options:** Tagline Kits  
 Epoxy Anchor Kits  
 Rotation Stops  
 Bolt Pattern Templates  
 Hoists & Trolleys







## FL-AR Series Foundationless Floor Mounted Semi-Articulating Jib Crane 1/8 & 1/4 Ton Capacity

Capacity (Pounds)	Model	Hub	Span	B Dimension	Beam Height	Base Diameter	Unit Weight
250	FL2586-AR	8'	6'	2' 6"	6"	26"	375#
250	FL2588-AR	8'	8'	3' 0"	6"	26"	405#
250	FL25810-AR	8'	10'	4' 0"	6"	26"	425#
250	FL25106-AR	10'	6'	2' 6"	6"	26"	410#
250	FL25108-AR	10'	8'	3' 0"	6"	26"	440#
250	FL251010-AR	10'	10'	4' 0"	6"	26"	455#
250	FL25126-AR	12'	6'	2' 6"	6"	26"	460#
250	FL25128-AR	12'	8'	3' 0"	6"	26"	475#
250	FL251210-AR	12'	10'	4' 0"	6"	26"	495#
500	FL586-AR	8'	6'	2' 6"	6"	28"	390#
500	FL588-AR	8'	8'	3' 0"	6"	28"	420#
500	FL5106-AR	10'	6'	2' 6"	6"	28"	425#
500	FL5108-AR	10'	8'	3' 0"	6"	28"	455#
500	FL5126-AR	12'	6'	2' 6"	6"	28"	475#
500	FL5128-AR	12'	8'	3' 0"	6"	28"	490#

Effective 4/17

Contact All Lift Cranes Sales for other sizes and capacities

**NOTE:**

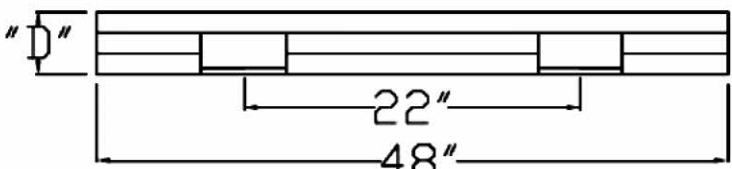
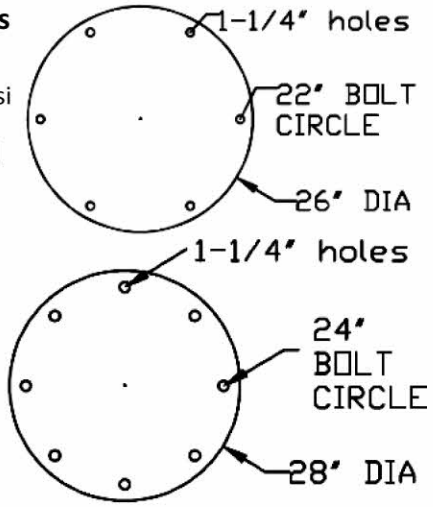
- Existing concrete must be a minimum of 6" thick reinforced with a minimum 3,000 psi (5 bag mix), soil pressure must support 2,500 psi.
- Concrete in and around the area (6' x 6') of the base plate must be free of cracks and must appear in good condition.
- All units have 26" diameter base and 22" bolt circle 6 holes 1-1/4" diameter.
- All units have 28" diameter base and 24" bolt circle 8 holes 1-1/4" diameter.
- All foundations should be checked by a structural engineer.

Accessories: WSTG Tagline Kits

**Portable Base:**

- 250 lbs. models "D" = 6" Weight: 3,038 lbs.
- 500 lbs. models "D" = 7" Weight: 3,690 lbs.

**NOTE: Portable base MUST be ordered with jib crane at time of order.**



4 in x 8 in fork pockets

- Options:** Epoxy Anchor Kits      Rotation Stops  
 Bolt Pattern Templates      Hoists



## Jib Crane Accessories for Foundationless Series Units

(FL, FL-WS & FL-AR)

### Epoxy Anchor Bolt Kits

AB-FL25     Anchor Bolt Kit - 6 Hole

AB-FL5     Anchor Bolt Kit - 8 Hole

AB-FL1     Anchor Bolt Kit - 12 Hole

ALC-AP     Applicator Gun for epoxy

Each 8 inch stud includes one washer and two nuts.

6 hole kit includes 1 tube epoxy. 8 & 12 hole kit includes 2 tubes epoxy

### Bolt Pattern Template

26D6     FL25 Plywood Template

28D8     FL5 Plywood Template

30D12     FL1 Plywood Template

### Rotation Stops – Field Mounted

#### Festooning

TG     Tag Line Kit with S Hooks

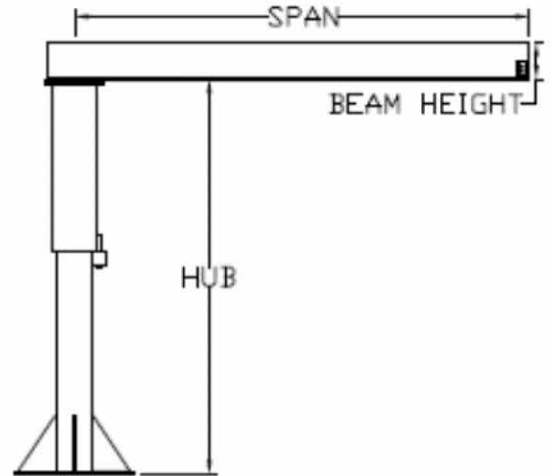
WSTG     Workstation Tag Line Kit with S Hooks

Adder- Steel Cable Trolley (each)

Flat Cable



## L-Series Light Duty Floor Mounted Jib Crane 1/4 Ton Capacity



Capacity (Pounds)	Model	Hub	Span	Beam Height	Flange Width	Base Diameter	Unit Weight
500	L586*	8'	6'	6"	3-3/8"	26"*	375#
500	L588*	8'	8'	6"	3-3/8"	26"*	395#
500	L5810*	8'	10'	6"	3-3/8"	26"*	415#
500	L5812*	8'	12'	6"	3-3/8"	26"*	570#
500	L5814	8'	14'	8"	4"	26"	685#
500	L5816	8'	16'	8"	4"	26"	721#
500	L5106*	10'	6'	6"	3-3/8"	26"*	415#
500	L5108*	10'	8'	6"	3-3/8"	26"*	430#
500	L51010*	10'	10'	6"	3-3/8"	26"*	450#
500	L51012*	10'	12'	6"	3-3/8"	26"*	615#
500	L51014	10'	14'	8"	4"	26"	725#
500	L51016	10'	16'	8"	4"	26"	762#
500	L5126*	12'	6'	6"	3-3/8"	26"*	450#
500	L5128*	12'	8'	6"	3-3/8"	26"*	471#
500	L51210*	12'	10'	6"	3-3/8"	26"*	490#
500	L51212*	12'	12'	6"	3-3/8"	26"*	659#
500	L51214	12'	14'	8"	4"	26"	770#
500	L51216	12'	16'	8"	4"	26"	807#

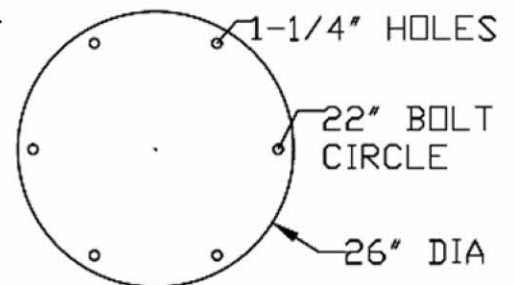
Effective 11/15

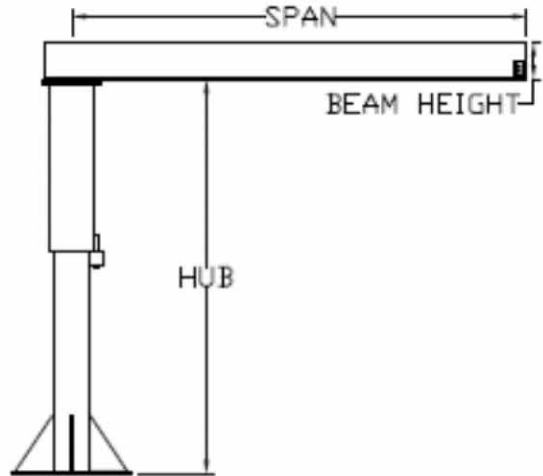
**NOTE:**

- Units with (\*) require 3' deep x 4' square foundations. All others require 3' deep by 5' square concrete foundations with rebar.
- 3,000 psi of compressive force-reinforced rebar 5/8" diameter top and bottom 12" on center
- All units have 26" diameter base and 22" bolt circle 6 holes 1-1/4" diameter.
- All foundations should be checked by a structural engineer.

**Options:** Tagline kits

- Anchor Bolt Kits
- Bolt Pattern Template
- Rotation Stops
- Top Entry Collector Rings
- Outdoor Applications & Stainless Steel
- Hoists & Trolleys





## L-Series Light Duty Floor Mounted Jib Crane 1/2 Ton Capacity

Capacity (Pounds)	Model	Hub	Span	Beam Height	Flange Width	Base Diameter	Unit Weight	
1000	L186*	8'	6'	6"	3-3/8"	26"*	480#	
1000	L188*	8'	8'	6"	3-3/8"	26"*	510#	
1000	L1810*	8'	10'	8"	4"	26"*	730#	
1000	L1812*	8'	12'	8"	4"	26"*	805#	
1000	L1814	8'	14'	8"	4"	26"	870#	
1000	L1106*	10'	6'	6"	3-3/8"	26"*	530#	
1000	L1108*	10'	8'	6"	3-3/8"	26"*	565#	
1000	L11010*	10'	10'	8"	4"	26"*	820#	
1000	L11012*	10'	12'	8"	4"	26"*	840#	
1000	L11014	10'	14'	8"	4"	26"	915#	
1000	L1126*	12'	6'	6"	3-3/8"	26"*	570#	
1000	L1128*	12'	8'	6"	3-3/8"	26"*	590#	
1000	L11210*	12'	10'	8"	4"	26"*	855#	
1000	L11212*	12'	12'	8"	4"	26"*	890#	
1000	L11214	12'	14'	8"	4"	26"	970#	

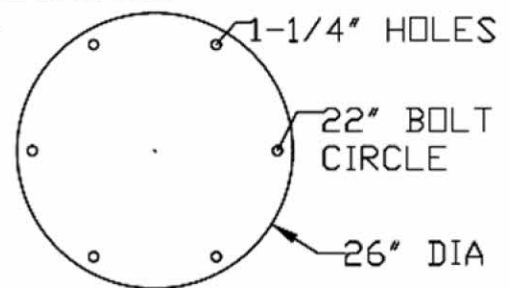
Effective 11/15

**NOTE:**

- Units with (\*) require 3' deep x 4' square foundations. All others require 3' deep by 5' square concrete foundations with rebar.
- 3,000 psi of compressive force-reinforced rebar 5/8" diameter top and bottom 12" on center
- All units have 26" diameter base and 22" bolt circle 6 holes 1-1/4" diameter.
- All foundations should be checked by a structural engineer.

**Options:** Tagline kits

- Anchor Bolt Kits
- Bolt Pattern Template
- Rotation Stops
- Top Entry Collector Rings
- Outdoor Applications & Stainless Steel
- Hoists & Trolleys





## Jib Crane Accessories for L-Series Units

### Anchor Bolt Kits

TA1-31-6 T-Style 1" Diameter Bolt 31" Long  
Each bolt includes one washer and two nuts.

### Bolt Pattern Template

26D6 Plywood Template  
26D6 Paper Template

### Rotation Stops – Field Mounted

### Festooning

TG Tag Line Kit with S Hooks  
Cable Trolleys - Steel - ADD (each)  
Flat Wire

### Collector Rings

TEC Top Entry Collector Ring and Mounting Plate  
Includes crane preparation

Effective 7/16





## Floor Mounted Installation Instructions

1. The crane is shipped in three sections: Boom assembly, head section, and column assembly. A hardware box with the bearing and mounting hardware is included.
2. The foundation shown on the standard product catalog sheets or drawing approval is the only foundation recommended by All Lift Cranes. Alternate foundations are to be determined by a structural engineer.
3. Pour the footing, according to the foundation requirements, with anchor bolts (T-bolts) in place. There should be between 4" to 5" exposed anchor thread above the floor level to allow for one washer and two nuts. Jib crane foundation requirements are based on a soil pressure 2500 lbs. per square foot.  $\frac{3}{4}$ " rebar is located 6" from top and bottom of foundation on 12" centers. Concrete recommended for the foundation is 3000 lbs. per square inch of compressive force. Concrete must cure for 7 days prior to installation. Minimum five bag mix is required.
4. After concrete has cured, make sure surface is level prior to mounting the column. Machinery grout and jam nuts may be used to level the surface. Mount the column to the anchor bolts. Next, bolt the boom to the head section with the mounting hardware provided and install upper roller bearing on column pivot pin and grease bearing prior to install. Set the boom and head section on the column.
5. Install end stops on the boom.
6. Adjust the lower roller cage nuts for final leveling.
7. **Small L series units** are adjusted by shimming between the upper pipe plate and the beam plate.





## MC-Series Portable Jib Crane 1/8 Ton - 1/4 Ton Capacity

Capacity (Pounds)	Model	Hub	Span	Beam Height	Base Inches	Unit Weight	
250	MC2588	8'	8'	6"	4" x 48"	2,256#	
250	MC25810	8'	10'	6"	6" x 48"	3,566#	
250	MC25812	8'	12'	6"	7" x 48"	4,156#	
250	MC25108	10'	8'	6"	4" x 48"	2,287#	
250	MC251010	10'	10'	6"	6" x 48"	3,620#	
250	MC251012	10'	12'	6"	7" x 48"	4,230#	
250	MC25128	12'	8'	6"	4" x 48"	2,315#	
250	MC251210	12'	10'	6"	6" x 48"	3,620#	
250	MC251212	12'	12'	6"	7" x 48"	4,315#	
250	MC588	8'	8'	6"	7" x 48"	4,215#	
500	MC5810	8'	10'	6"	9" x 48"	5,530#	
500	MC5812	8'	12'	6"	6" x 60"	5,787#	
500	MC5108	10'	8'	6"	7" x 48"	4,260#	
500	MC51010	10'	10'	6"	9" x 48"	5,550#	
500	MC51012	10'	12'	6"	6" x 60"	5,820#	
500	MC5128	12'	8'	6"	7" x 48"	4,310#	
500	MC51210	12'	10'	6"	9" x 48"	5,590#	
500	MC51212	12'	12'	6"	6" x 60"	5,860#	

Effective 11/15

**NOTE:**

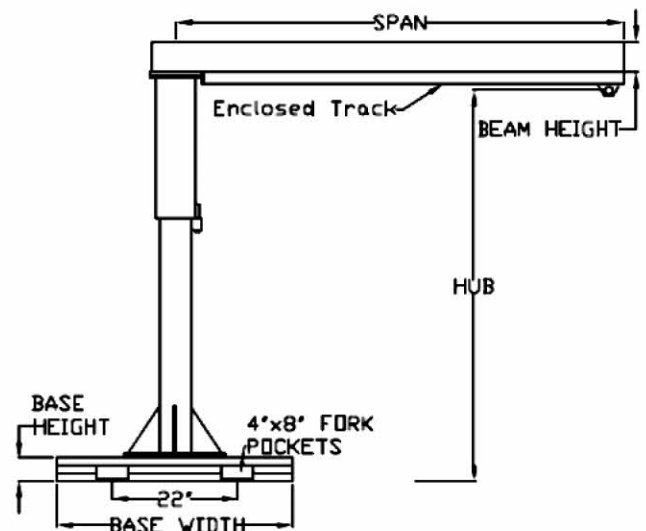
- Does not require concrete foundation.
- Can be moved with fork truck or pallet jack
- Solid steel base with 4" x 8" for pockets.
- Ergonomic enclosed track trolley for ease of travel.
- Enclosed track trolley and base included.

**Accessories:** WSTG Tagline Kits

RS Rotation Stops

Top Entry Collector Rings

Hoists





## CW-Series Cantilevered Wall Mounted Jib Crane 1/4 to 1 Ton Capacity

Capacity (Pounds)	Model	Span	Bracket Centers	Beam Height	Flange Width	Thrust & Pull	Unit Weight	
500	CW508	8'	3' - 0"	6"	3-3/8"	2,185#	255#	
500	CW510	10'	3' - 0"	6"	3-3/8"	2,720#	275#	
500	CW512	12'	4' - 0"	6"	3-3/8"	2,560#	315#	
500	CW514	14'	4' - 0"	8"	4"	2,975#	335#	
500	CW516	16'	4' - 0"	8"	4"	3,526#	455#	
500	CW518	18'	4' - 0"	8"	4"	4,150#	480#	
500	CW520	20'	4' - 0"	12"	6 1/2"	4,980#	810#	
1,000	CW108	8'	3' - 0"	8"	4"	3,785#	285#	
1,000	CW110	10'	3' - 0"	8"	4"	4,750#	315#	
1,000	CW112	12'	3' - 0"	8"	4"	5,768#	370#	
1,000	CW114	14'	4' - 0"	8"	4"	5,145#	490#	
1,000	CW116	16'	4' - 0"	12"	6 1/2"	6,125#	660#	
1,000	CW118	18'	4' - 0"	12"	6 1/2"	6,950#	715#	
1,000	CW120*	20'	6' - 0"	12"	6 1/2"	5,450#	890#	
2,000	CW208	8'	4' - 0"	8"	4"	5,250#	380#	
2,000	CW210	10'	5' - 0"	12"	6 1/2"	5,335#	545#	
2,000	CW212	12'	5' - 0"	12"	6 1/2"	6,450#	585#	
2,000	CW214	14'	5' - 0"	12"	6 1/2"	7,605#	640#	
2,000	CW216*	16'	6' - 0"	12"	6 1/2"	7,390#	810#	
2,000	CW218*	18'	6' - 0"	16"	7"	8,750#	1,085#	
2,000	CW220*	20'	6' - 0"	16"	7"	9,805#	1,190#	

Effective 11/15

\* **Bolt together design - All other models are WELDED.**

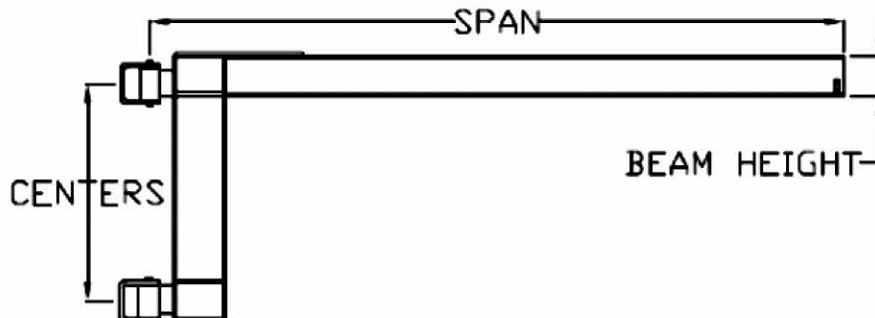
**NOTE:**

- Mounting bolts not included – use grade 5 or better provided by the installer.
- All weights are estimated and dimensions are subject to change.

Accessories: TG Tagline Kits

RB Rotation Bumpers

Hoists & Trolleys





## CW-Series Cantilevered Wall Mounted Jib Crane 2 and 3 Ton Capacity

Capacity (Pounds)	Model	Span	Bracket Centers	Beam Height	Flange Width	Thrust & Pull	Unit Weight
4,000	CW408	8'	4' - 0"	12"	6 ½"	9,950#	480#
4,000	CW410	10'	4' - 0"	12"	6 ½"	12,445#	590#
4,000	CW412	12'	4' - 0"	12"	6 ½"	14,975#	620#
4,000	CW414	14'	5' - 0"	16"	7"	14,350#	890#
4,000	CW416*	16'	6' - 0"	21"	6 ½"	14,075#	1,330#
4,000	CW418*	18'	6' - 0"	21"	6 ½"	15,990#	1,515#
4,000	CW420*	20'	7' - 6"	24"	7"	14,650#	1,890#
6,000	CW608	8'	4' - 0"	16"	7"	14,855#	710#
6,000	CW610	10'	4' - 0"	16"	7"	18,600#	780#
6,000	CW612*	12'	6' - 0"	16"	7"	14,950#	989#
6,000	CW614*	14'	6' - 0"	16"	7"	17,665#	1,105#
6,000	CW616*	16'	6' - 6"	21"	6 ½"	18,975#	1,440#
6,000	CW618*	18'	7' - 6"	24"	7"	18,750#	1,820#
6,000	CW620*	20'	9' - 6"	24"	7"	16,655#	2,286#

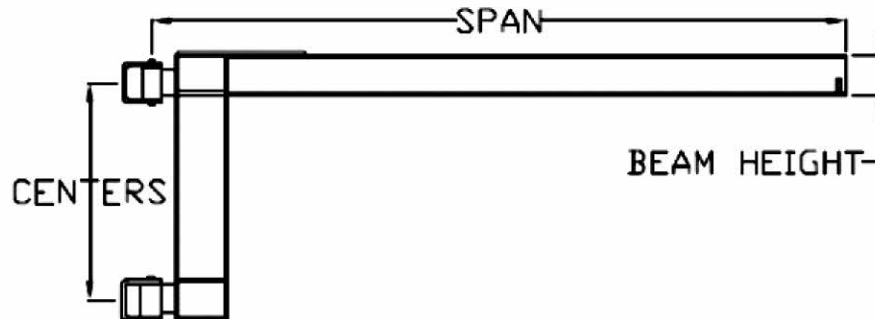
Effective 11/15

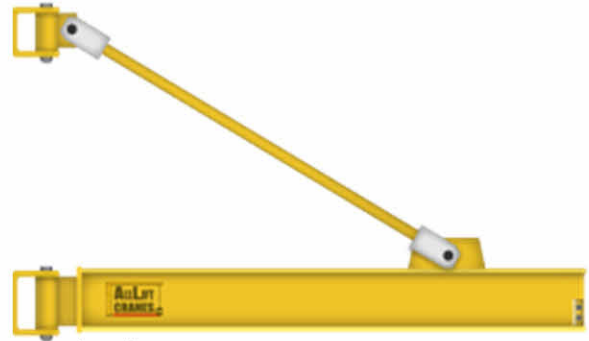
\* **Bolt together design - All other models are WELDED.**

**NOTE:**

- Mounting bolts not included – use grade 5 or better provided by the installer.
- All weights are estimated and dimensions are subject to change.

**Accessories:** TG Tagline Kits  
 RB Rotation Bumpers  
 Hoists & Trolleys





## TRW-Series Overbraced Tie Rod Wall Mounted Jib Crane 1/2 and 1 Ton Capacity

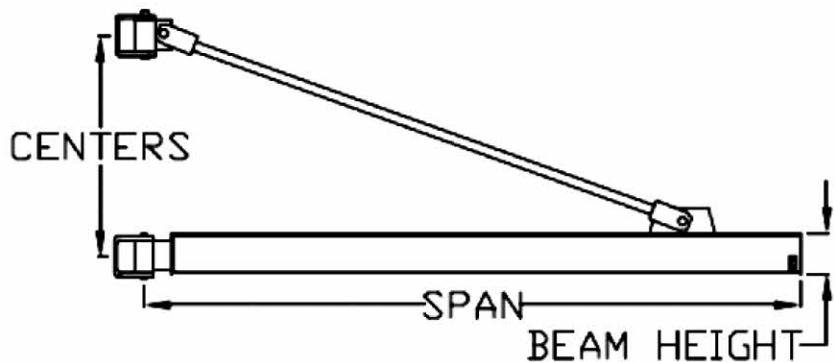
Capacity (Pounds)	Model	Span	Bracket Centers	Beam Height	Flange Width	Thrust & Pull	Unit Weight	
1,000	TRW108	8'	2'-9"	6"	3-3/8"	4,205#	205#	
1,000	TRW110	10'	3'-0"	6"	3-3/8"	4,850#	240#	
1,000	TRW112	12'	3'-9"	6"	3-3/8"	4,640#	265#	
1,000	TRW114	14'	4'-6"	6"	3-3/8"	4,545#	315#	
1,000	TRW116	16'	5'-6"	6"	3-3/8"	4,230#	325#	
1,000	TRW118	18'	6'-0"	8"	4"	4,515#	465#	
1,000	TRW120	20'	6'-6"	8"	4"	4,665#	520#	
1,000	TRW122	22'	7' 0"	12"	6 1/2"	5,205#	1,145#	
1,000	TRW124	24'	7' 6"	12"	6 1/2"	5,330#	1,235#	
1,000	TRW126	26'	8' 0"	12"	6 1/2"	5,945#	1,310#	
1,000	TRW128	28'	9' 0"	12"	6 1/2"	6,125#	1,420#	
1,000	TRW130	30'	10' 0"	12"	6 1/2"	6,625#	1,505#	
2,000	TRW208	8'	2'-9"	6"	3-3/8"	7,782#	215#	
2,000	TRW210	10'	3'-0"	6"	3-3/8"	8,790#	250#	
2,000	TRW212	12'	3'-9"	6"	3-3/8"	8,525#	275#	
2,000	TRW214	14'	4'-6"	8"	4"	8,590#	385#	
2,000	TRW216	16'	5'-6"	8"	4"	8,050#	424#	
2,000	TRW218	18'	6'-0"	8"	4"	8,185#	485#	
2,000	TRW220	20'	6'-0"	12"	6 1/2"	9,345#	690#	
2,000	TRW222	22'	7' 0"	12"	6 1/2"	9,610#	1,280#	
2,000	TRW224	24'	7' 6"	12"	6 1/2"	10,120#	1,395#	
2,000	TRW226	26'	8' 0"	12"	6 1/2"	10,205#	1,510#	
2,000	TRW228	28'	9' 0"	12"	6 1/2"	10,310#	1,620#	
2,000	TRW230	30'	10' 0"	12"	6 1/2"	10,365#	1,725#	

Effective 7/16

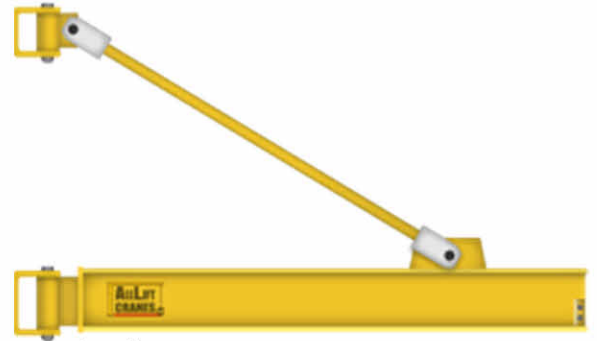
**NOTE:**

- Mounting bolts not included – use grade 5 or better provided by the installer.
- All weights are estimated and dimensions are subject to change.

**Accessories:** TG Tagline Kits  
 RB Rotation Bumpers  
 Hoists & Trolleys







## TRW-Series Overbraced Tie Rod Wall Mounted Jib Crane 2 and 3 Ton Capacity

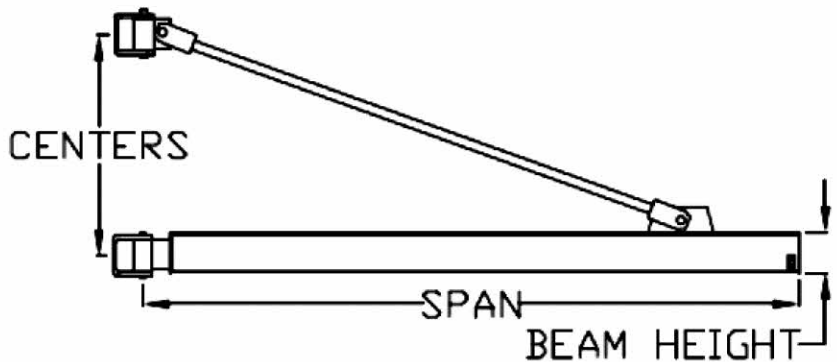
Capacity (Pounds)	Model	Span	Bracket Centers	Beam Height	Flange Width	Thrust & Pull	Unit Weight	
4,000	TRW408	8'	2'-9"	8"	4"	14,875#	310#	
4,000	TRW410	10'	3'-0"	8"	4"	17,250#	350#	
4,000	TRW412	12'	3'-9"	8"	4"	16,282#	390#	
4,000	TRW414	14'	4'-6"	8"	4"	15,875#	445#	
4,000	TRW416	16'	5'-6"	12"	6 1/2"	14,975#	615#	
4,000	TRW418	18'	6'-0"	12"	6 1/2"	15,585#	685#	
4,000	TRW420	20'	6'-6"	12"	6 1/2"	16,150#	820#	
4,000	TRW422	22'	7' 0"	12"	6 1/2"	18,415#	1,310#	
4,000	TRW424	24'	7' 6"	12"	6 1/2"	18,910#	1,425#	
4,000	TRW426	26'	8' 0"	12"	6 1/2"	19,420#	1,540#	
4,000	TRW428	28'	9' 0"	12"	6 1/2"	18,880#	1,650#	
4,000	TRW430	30'	10' 0"	12"	6 1/2"	18,200#	1,755#	
6,000	TRW608	8'	2'-9"	8"	4"	22,170#	320#	
6,000	TRW610	10'	3'-3"	8"	4"	23,275#	375#	
6,000	TRW612	12'	4'-0"	12"	6 1/2"	22,750#	575#	
6,000	TRW614	14'	4'-9"	12"	6 1/2"	22,350#	655#	
6,000	TRW616	16'	5'-6"	12"	6 1/2"	21,975#	715#	
6,000	TRW618	18'	6'-3"	16"	7"	22,375#	975#	
6,000	TRW620	20'	7'-0"	16"	7"	22,455#	1,455#	

Effective 7/16

**NOTE:**

- Mounting bolts not included – use grade 5 or better provided by the installer.
- All weights are estimated and dimensions are subject to change.

**Accessories:** TG Tagline Kits  
 RB Rotation Bumpers  
 Hoists & Trolleys





## FG-Series Fixed Height Gantry Crane 1 Ton - 5 Ton Capacity

Capacity (Pounds)	Model	Span	Hub Fixed	Beam Height	Flange Width	Caster Diameter	Unit Weight
1 Ton	FG1-812	8'	12'	6"	3-3/8"	8"	550#
1 Ton	FG1-1012	10'	12'	6"	3-3/8"	8"	575#
1 Ton	FG1-1212	12'	12'	6"	3-3/8"	8"	600#
1 Ton	FG1-1612	16'	12'	8"	4"	8"	775#
2 Ton	FG2-812	8'	12'	8"	4"	6"	675#
2 Ton	FG2-1012	10'	12'	8"	4"	6"	705#
2 Ton	FG2-1212	12'	12'	8"	4"	6"	805#
2 Ton	FG2-1612	16'	12'	12"	6 1/2"	6"	1,080#
3 Ton	FG3-812	8'	12'	8"	4"	6"	1,060#
3 Ton	FG3-1012	10'	12'	12"	6 1/2"	6"	1,145#
3 Ton	FG3-1212	12'	12'	12"	6 1/2"	6"	1,290#
3 Ton	FG3-1612	16'	12'	14"	8"	6"	1,640#
4 Ton	FG4-812	8'	12'	14"	8"	10"	1,470#
4 Ton	FG4-1012	10'	12'	14"	8"	10"	1,560#
4 Ton	FG4-1212	12'	12'	14"	8"	10"	1,650#
4 Ton	FG4-1612	16'	12'	14"	8"	10"	1,825#
5 Ton	FG5-812	8'	12'	16"	7-1/8"	10"	1,760#
5 Ton	FG5-1012	10'	12'	16"	7-1/8"	10"	1,840#
5 Ton	FG5-1212	12'	12'	16"	7-1/8"	10"	1,930#
5 Ton	FG5-1612	16'	12'	16"	7-1/8"	10"	2,245#

Effective 7/16

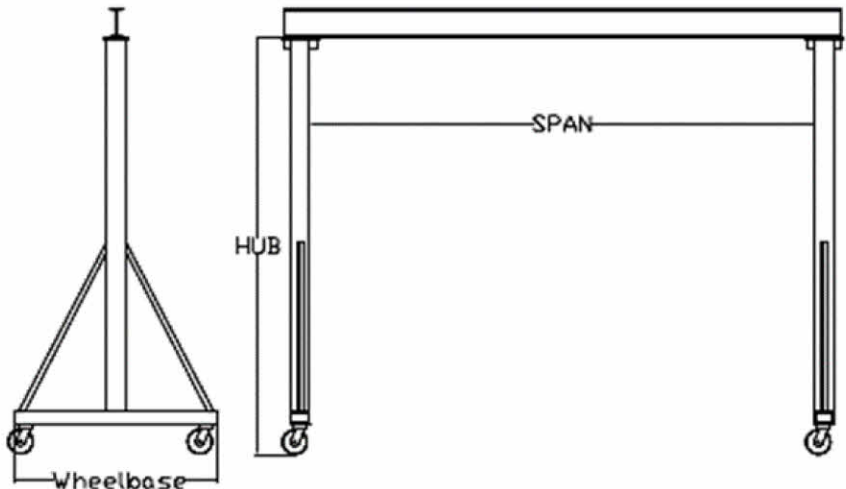
### Other sizes and capacities available

**NOTE:**

- Includes (4) steel swivel casters with brakes.
- Standard wheel base on units above 5' 0".

**Accessories:** TG Tagline Kits  
Hoists & Trolleys

**Options:** Poly Casters  
V-Groove Casters & Track







## TG-Series Telescoping Gantry Crane 1 Ton - 5 Ton Capacity

Capacity (Pounds)	Model	Span	Hub Adjustment	Beam Height	Flange Width	Caster Diameter	Unit Weight	
1 Ton	TG1-812	8'	8' - 12'	6"	3-3/8"	8"	780#	
1 Ton	TG1-1012	10'	8' - 12'	6"	3-3/8"	8"	805#	
1 Ton	TG1-1212	12'	8' - 12'	6"	3-3/8"	8"	850#	
1 Ton	TG1-1612	16'	8' - 12'	8"	4"	8"	1,020#	
2 Ton	TG2-812	8'	8' - 12'	8"	4"	6"	898#	
2 Ton	TG2-1012	10'	8' - 12'	8"	4"	6"	1,040#	
2 Ton	TG2-1212	12'	8' - 12'	8"	4"	6"	1,075#	
2 Ton	TG2-1612	16'	8' - 12'	12"	6 1/2"	6"	1,380#	
3 Ton	TG3-812	8'	8' - 12'	8"	4"	6"	1,250#	
3 Ton	TG3-1012	10'	8' - 12'	12"	6 1/2"	6"	1,420#	
3 Ton	TG3-1212	12'	8' - 12'	12"	6 1/2"	6"	1,460#	
3 Ton	TG3-1612	16'	8' - 12'	14"	8"	6"	1,820#	
4 Ton	TG4-812	8'	8' - 12'	14"	8"	10"	1,675#	
4 Ton	TG4-1012	10'	8' - 12'	14"	8"	10"	1,753#	
4 Ton	TG4-1212	12'	8' - 12'	14"	8"	10"	1,840#	
4 Ton	TG4-1612	16'	8' - 12'	14"	8"	10"	2,113#	
5 Ton	TG5-812	8'	8' - 12'	16"	7-1/8"	10"	1,890#	
5 Ton	TG5-1012	10'	8' - 12'	16"	7-1/8"	10"	1,940#	
5 Ton	TG5-1212	12'	8' - 12'	16"	7-1/8"	10"	2,195#	
5 Ton	TG5-1612	16'	8' - 12'	16"	7-1/8"	10"	2,440#	

Effective 7/16

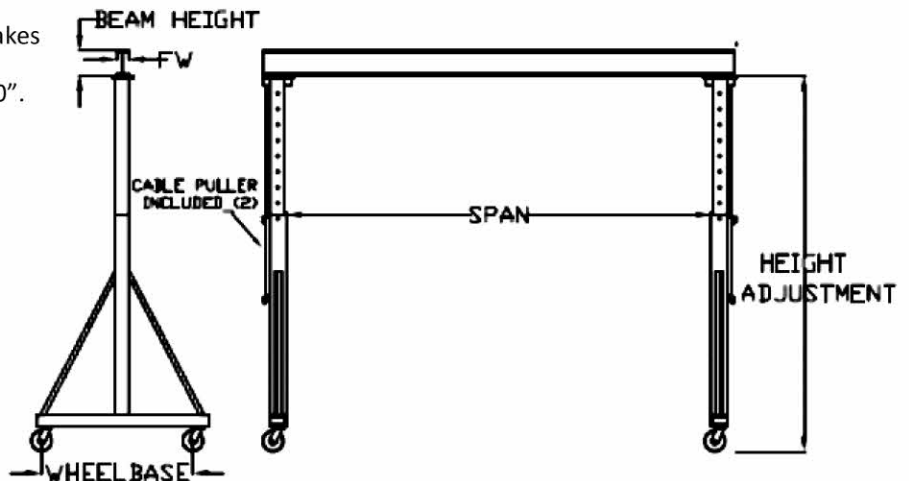
### Other sizes and capacities available

**NOTE:**

- Includes (4) steel swivel casters with brakes and (2) cable pullers.
- Standard wheel base on units above 5' 0".

**Accessories:** TG Tagline Kits  
Hoists & Trolleys

**Options:** Poly Casters  
V-Groove Casters & Track





## TLJ-Series Telescoping Jib Lift Fork Truck Attachment 2 Ton – 4 Ton Capacity

Capacity (Pounds)	Model	Fork Pocket Centers	Fork Pocket Size	Overall Height	Weight	
4,000	TLJ413	13"	3 1/2" x 7 1/2"	17"	375#	
4,000	TLJ430	30"	3 1/2" x 7 1/2"	17"	405#	
6,000	TLJ613	13"	3 1/2" x 7 1/2"	17"	465#	
6,000	TLJ630	30"	3 1/2" x 7 1/2"	17"	525#	
8,000	TLJ814	14"	3 1/2" x 7 1/2"	18"	640#	
8,000	TLJ830	30"	3 1/2" x 7 1/2"	18"	720#	

Effective 11/15

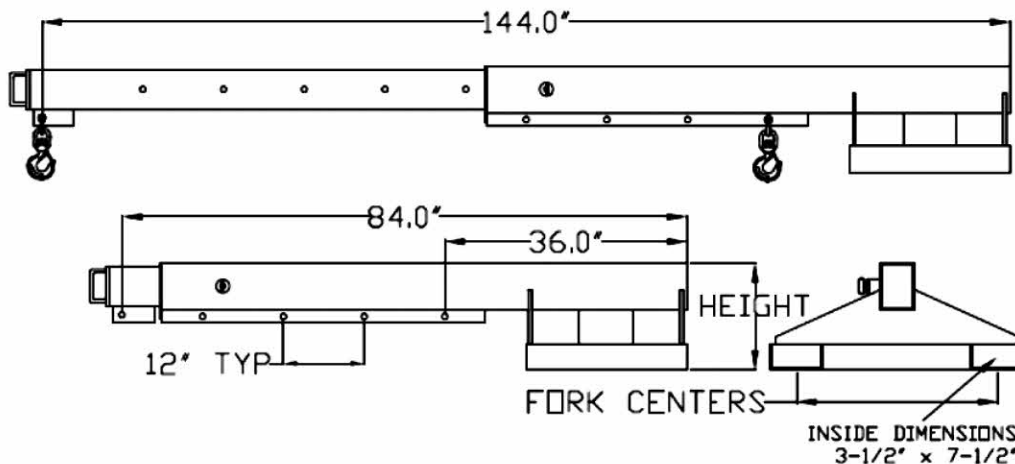
### Each Unit Includes:

- 2 Swivel Hooks
- 2 Shackles
- 1 Safety Chain

Telescoping Lift Jib Load Chart			
Hook Position	Capacity on a Single Hook		
	2 Ton	3 Ton	4 Ton
36" & 48"	4,000#	6,000#	8,000#
60"	3,600#	5,600#	7,400#
72"	3,300#	5,300#	6,900#
84"	2,900#	4,900#	6,400#
96"	2,400#	4,100#	5,400#
108"	2,000#	3,500#	4,400#
120"	1,800#	2,900#	3,900#
132"	1,600#	2,600#	3,500#
144"	1,500#	2,400#	3,000#

### Telescoping Fork Truck Boom Features:

This type of fork truck attachment is designed to efficiently lift and carry loads with a telescoping boom. The quick release spring loaded locking pin allows for multiple hook positions. Consult with us for modified units

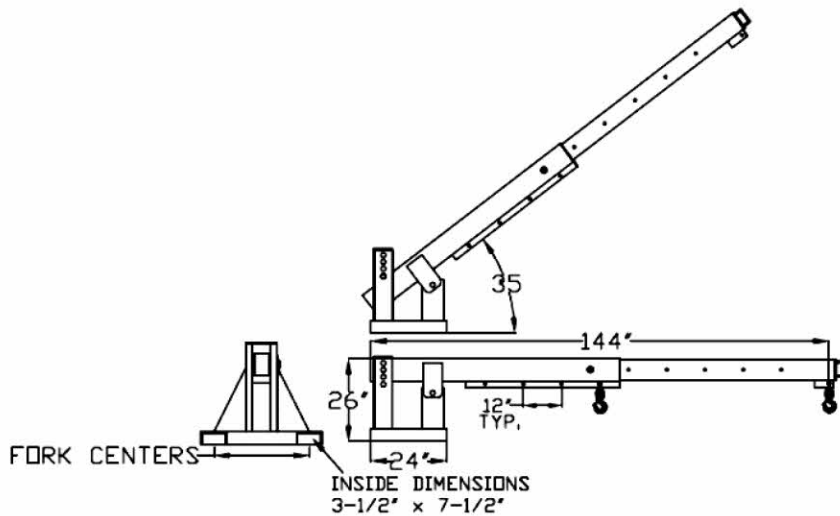




## TLJP-Series Telescoping Pivoting Jib Lift Fork Truck Attachment 2 Ton – 4 Ton Capacity

Capacity (Pounds)	Model	Fork Pocket Centers	Fork Pocket Size	Overall Height	Weight	
4,000	TLJP413	13"	3 1/2" x 7 1/2"	26"	555#	
4,000	TLJP430	30"	3 1/2" x 7 1/2"	26"	610#	
6,000	TLJP613	13"	3 1/2" x 7 1/2"	26"	660#	
6,000	TLJP630	30"	3 1/2" x 7 1/2"	26"	690#	
8,000	TLJP814	14"	3 1/2" x 7 1/2"	26"	875#	
8,000	TLJP830	30"	3 1/2" x 7 1/2"	26"	950#	

Effective 11/15



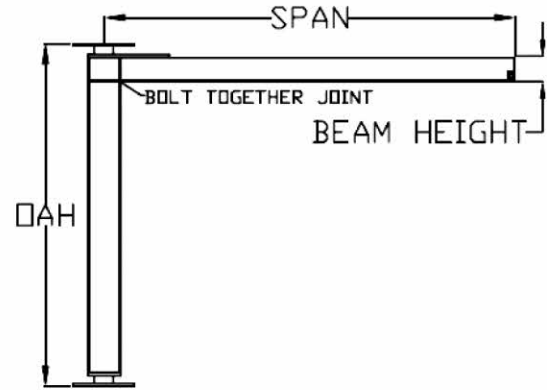
Telescoping Lift Jib Load Chart			
Hook Position	Capacity on a Single Hook		
	2 Ton	3 Ton	4 Ton
36" & 48"	4,000#	6,000#	8,000#
60"	3,600#	5,600#	7,400#
72"	3,300#	5,300#	6,900#
84"	2,900#	4,900#	6,400#
96"	2,400#	4,100#	5,400#
108"	2,000#	3,500#	4,400#
120"	1,800#	2,900#	3,900#
132"	1,600#	2,600#	3,500#
144"	1,500#	2,400#	3,000#

### Each Unit Includes:

- 2 Swivel Hooks
- 2 Shackles
- 1 Safety Chain

### Telescoping Pivoting Fork Truck Boom Features:

Pivoting from 0 to 35 degrees. This type of fork truck attachment is designed to efficiently lift and carry loads with a telescoping boom. The quick release spring loaded locking pin allows for multiple hook positions. Consult with us for modified units



## PM-Series Pillar Mounted Jib Crane 1/2 Ton Capacity

Capacity (Pounds)	Model	Span	Height Overall	Beam Height	Flange Width	Unit Weight	
1,000	PM108-10	8'	10'	8"	4"	475#	
1,000	PM110-10	10'	10'	8"	4"	555#	
1,000	PM112-10	12'	10'	8"	4"	675#	
1,000	PM114-10	14'	10'	12"	6 1/2"	905#	
1,000	PM116-10	16'	10'	12"	6 1/2"	945#	
1,000	PM118-10	18'	10'	12"	6 1/2"	1,085#	
1,000	PM120-10	20'	10'	12"	6 1/2"	1,175#	
1,000	PM108-12	8'	12'	8"	4"	505#	
1,000	PM110-12	10'	12'	8"	4"	580#	
1,000	PM112-12	12'	12'	12"	6 1/2"	665#	
1,000	PM114-12	14'	12'	12"	6 1/2"	925#	
1,000	PM116-12	16'	12'	12"	6 1/2"	980#	
1,000	PM118-12	18'	12'	12"	6 1/2"	1,145#	
1,000	PM120-12	20'	12'	12"	6 1/2"	1,210#	
1,000	PM108-14	8'	14'	8"	4"	515#	
1,000	PM110-14	10'	14'	12"	6 1/2"	635#	
1,000	PM112-14	12'	14'	12"	6 1/2"	705#	
1,000	PM114-14	14'	14'	12"	6 1/2"	990#	
1,000	PM116-14	16'	14'	12"	6 1/2"	1,040#	
1,000	PM118-14	18'	14'	12"	6 1/2"	1,205#	
1,000	PM120-14	20'	14'	12"	6 1/2"	1,270#	
1,000	PM108-16	8'	16'	8"	4"	540#	
1,000	PM110-16	10'	16'	8"	4"	680#	
1,000	PM112-16	12'	16'	8"	4"	745#	
1,000	PM114-16	14'	16'	12"	6 1/2"	1,050#	
1,000	PM116-16	16'	16'	12"	6 1/2"	1,110#	
1,000	PM118-16	18'	16'	12"	6 1/2"	1,265#	
1,000	PM120-16	20'	16'	12"	6 1/2"	1,330#	

Effective 11/15

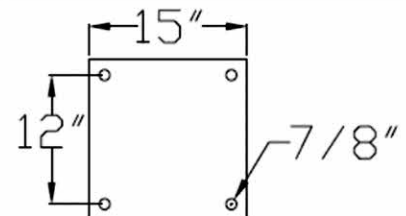
Contact sales for other heights and span lengths

**NOTE:**

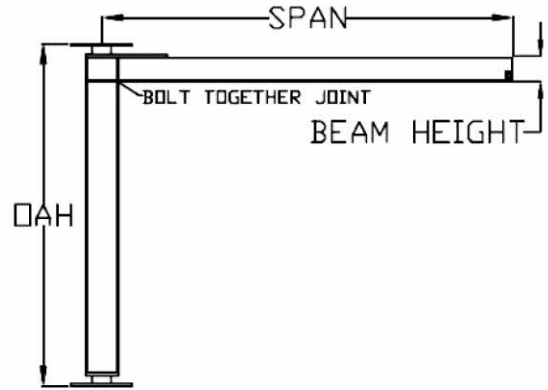
- Includes (2) mounting plates and end stops. 7/8" diameter mounting bolts NOT included

**OPTIONS:** TG Tagline Kit

Hoist & Trolleys







## PM-Series Pillar Mounted Jib Crane 1 Ton Capacity

Capacity (Pounds)	Model	Span	Height Overall	Beam Height	Flange Width	Unit Weight	
2,000	PM208-10	8'	10'	8"	4"	545#	
2,000	PM210-10	10'	10'	12"	6 1/2"	770#	
2,000	PM212-10	12'	10'	12"	6 1/2"	820#	
2,000	PM214-10	14'	10'	12"	6 1/2"	960#	
2,000	PM216-10	16'	10'	12"	6 1/2"	1,025#	
2,000	PM218-10	18'	10'	16"	7"	1,390#	
2,000	PM220-10	20'	10'	16"	7"	1,490#	
2,000	PM208-12	8'	12'	8"	4"	585#	
2,000	PM210-12	10'	12'	12"	6 1/2"	810#	
2,000	PM212-12	12'	12'	12"	6 1/2"	870#	
2,000	PM214-12	14'	12'	12"	6 1/2"	1,020#	
2,000	PM216-12	16'	12'	12"	6 1/2"	1,080#	
2,000	PM218-12	18'	12'	16"	7"	1,445#	
2,000	PM220-12	20'	12'	16"	7"	1,530#	
2,000	PM208-14	8'	14'	8"	4"	620#	
2,000	PM210-14	10'	14'	12"	6 1/2"	870#	
2,000	PM212-14	12'	14'	12"	6 1/2"	920#	
2,000	PM214-14	14'	14'	12"	6 1/2"	1,090#	
2,000	PM216-14	16'	14'	12"	6 1/2"	1,150#	
2,000	PM218-14	18'	14'	16"	7"	1,510#	
2,000	PM220-14	20'	14'	16"	7"	1,600#	
2,000	PM208-16	8'	16'	8"	4"	675#	
2,000	PM210-16	10'	16'	12"	6 1/2"	950#	
2,000	PM212-16	12'	16'	12"	6 1/2"	1,005#	
2,000	PM214-16	14'	16'	12"	6 1/2"	1,150#	
2,000	PM216-16	16'	16'	12"	6 1/2"	1,325#	
2,000	PM218-16	18'	16'	16"	7"	1,590#	
2,000	PM220-16	20'	16'	16"	7"	1,925#	

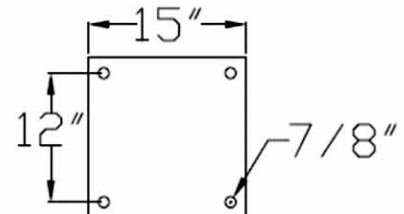
Effective 11/15

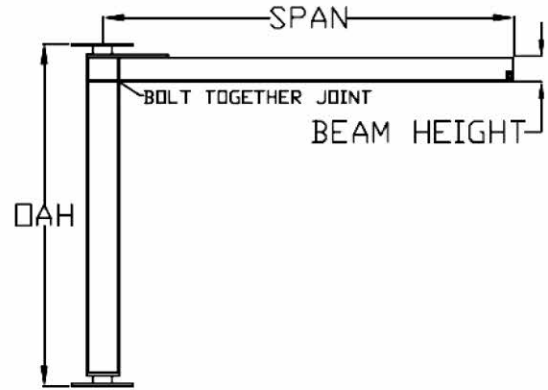
Contact sales for other heights and span lengths

**NOTE:**

- Includes (2) mounting plates and end stops. 7/8" diameter mounting bolts NOT included

**OPTIONS:** TG Tagline Kit  
Hoist & Trolleys





## PM-Series Pillar Mounted Jib Crane 2 Ton Capacity

Capacity (Pounds)	Model	Span	Height Overall	Beam Height	Flange Width	Unit Weight	
4,000	PM408-10	8'	10'	12"	6 ½"	760#	
4,000	PM410-10	10'	10'	12"	6 ½"	850#	
4,000	PM412-10	12'	10'	16"	7"	1,135#	
4,000	PM414-10	14'	10'	16"	7"	1,220#	
4,000	PM416-10	16'	10'	21"	6 ½"	1,660#	
4,000	PM418-10	18'	10'	21"	6 ½"	1,790#	
4,000	PM420-10	20'	10'	21"	6 ½"	2,250#	
4,000	PM408-12	8'	12'	12"	6 ½"	780#	
4,000	PM410-12	10'	12'	12"	6 ½"	915#	
4,000	PM412-12	12'	12'	16"	7"	1,210#	
4,000	PM414-12	14'	12'	16"	7"	1,290#	
4,000	PM416-12	16'	12'	21"	6 ½"	1,750#	
4,000	PM418-12	18'	12'	21"	6 ½"	1,860#	
4,000	PM420-12	20'	12'	21"	6 ½"	2,345#	
4,000	PM408-14	8'	14'	12"	6 ½"	840#	
4,000	PM410-14	10'	14'	12"	6 ½"	1,050#	
4,000	PM412-14	12'	14'	16"	7"	1,270#	
4,000	PM414-14	14'	14'	16"	7"	1,585#	
4,000	PM416-14	16'	14'	21"	6 ½"	1,850#	
4,000	PM418-14	18'	14'	21"	6 ½"	1,980#	
4,000	PM420-14	20'	14'	21"	6 ½"	2,450#	
4,000	PM408-16	8'	16'	12"	6 ½"	905#	
4,000	PM410-16	10'	16'	12"	6 ½"	1,080#	
4,000	PM412-16	12'	16'	16"	7"	1,580#	
4,000	PM414-16	14'	16'	16"	7"	1,680#	
4,000	PM416-16	16'	16'	21"	6 ½"	1,950#	
4,000	PM418-16	18'	16'	21"	6 ½"	2,050#	
4,000	PM420-16	20'	16'	21"	6 ½"	2,590#	

Effective 11/15

Contact sales for other heights and span lengths

**NOTE:**

- Includes (2) mounting plates and end stops. 7/8" diameter mounting bolts NOT included

**OPTIONS:** TG Tagline Kit

Hoist & Trolleys

